

# 5000.0812K3M Low Profile DATA SHEET



## KIT CONTAINS

UNIDRAIN GLASSLINE UNIT WITH  
INTEGRATED GLASS CHANNEL  
LOW PROFILE OUTLET  
HIGHLINE FRAME  
HIGHLINE PANEL  
GLASS SCREEN

## 5002.0912 | 5003.0912 Glassline Module

For right-aligned shower screen

For left-aligned shower screen



### ITEM NUMBER R

5002.0912

### ITEM NUMBER L

5003.0912

## Specifications

|                                   |                           |                               |
|-----------------------------------|---------------------------|-------------------------------|
| <b>MATERIAL</b>                   | <b>SURFACE</b>            | <b>FLOORING</b>               |
| 1,5 mm stainless steel (AISI 304) | Pickled                   | Tiles                         |
| <b>MEMBRANE</b>                   | <b>FLOOR CONSTRUCTION</b> | <b>INSTALLATION WIDTH (A)</b> |
| Liquid or sheet membrane          | Concrete/wood             | 901 mm                        |
| <b>INSTALLATION DEPTH (B)</b>     | <b>CENTRE (C)</b>         | <b>SHOWER SCREEN SIZE (D)</b> |
| 1301 mm                           | 451 mm                    | 1200 mm                       |



## 1417.0050 - Low Profile Outlet

Linear 1417.0050

Ø 50 mm horizontal drain

The odour barrier can be removed for cleaning

Can be rotated 180 degrees if a rear-facing outlet is required

Note: Odour barrier is VA-approved

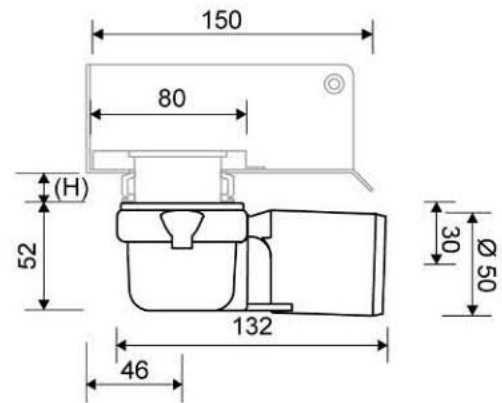


### Specifications

|                            |               |  |
|----------------------------|---------------|--|
| ITEM NUMBER                | GTIN NUMBER   | WEIGHT INCLUDING PACKAGING                                 |
| 1417.0050                  | 5707692007915 | 500 g  |
| WEIGHT EXCLUDING PACKAGING | MATERIAL      | USAGE  |
| 350 g                      | Plastic (PP)  | Line drain   |
| BARRIER                    | GASKET        | CAPACITY   |
| With (odour barrier)       | EPDM          | 0.6 l/s  |
| SIDE INLET                 | CENTER        | FITS DRAIN UNIT  |
| Without                    | 30 mm         | 1001, 1002, 1003, 1004, 1100, 3002, 3004, 5002, 5003, 4004 |

FITTING HEIGHTS - LINE FAUCETS 1001, 1002, 1003, 1004

| Ø       | Outlet direction | 300   | 600   | 700   | 800   | 900   | 1000  | 1200  |
|---------|------------------|-------|-------|-------|-------|-------|-------|-------|
| Ø 50 mm | Horizontal       | 64 mm | 68 mm | 69 mm | 70 mm | 71 mm | 72 mm | 74 mm |



## 1910.0915 - 900mm Stainless Steel Frame

Line 1910

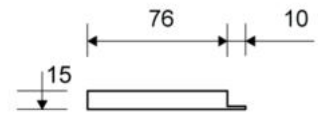
Highline Frame can be placed around Highline Custom, Cassette and Panel.  
Also available in 10, 12 and 25mm heights (depending on the thickness of the floor tile)  
Contact Wetroom Materials for other heights.

Must be installed before tiling.



### Specifications

|                            |  |                            |
|----------------------------|--|----------------------------|
| ITEM NUMBER                | GTIN NUMBER                              | WEIGHT INCLUDING PACKAGING |
| 1910.0915                  | 5707692004396                            | 2380 g                     |
| WEIGHT EXCLUDING PACKAGING | MATERIAL                                 | USAGE                      |
| 2270 g                     | Stainless steel (AISI 304)               | Line drain                 |
| SURFACE                    | INSTALLATION LENGTH (L)                  | HEIGHT (H)                 |
| Brushed                    | 895 mm                                   | H 12 mm                    |
| LENGTH MODEL               | FITS DRAIN UNIT                          | INSERT                     |
| 900 mm                     | 1001, 1002, 1003, 1004, 1100, 5002, 5003 | Synthetic                  |



## 1920.0900 - 900mm Panel

HighLine | Panel

Available as solid, brushed stainless steel or frosted glass

Set consists of a panel, rail, heightener set and screws. The set must be assembled before mounting

The PANEL solution is placed directly inside the unit. The rail is specially designed to provide a snug fit

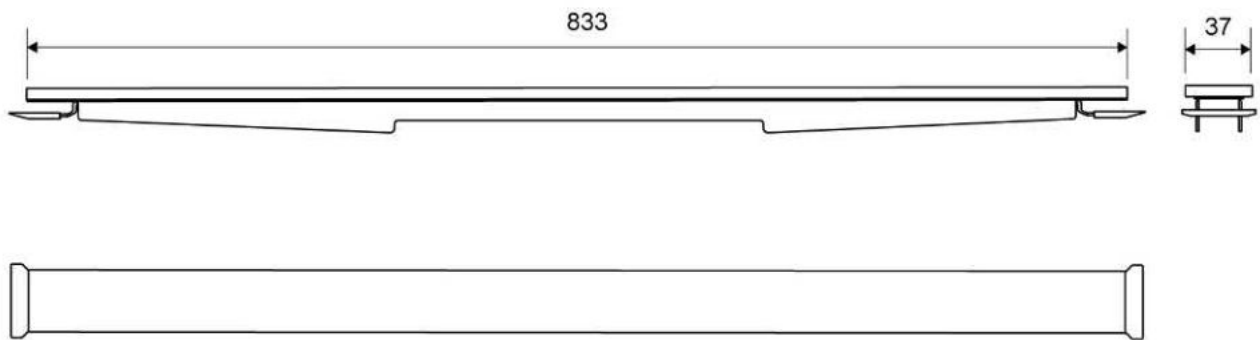
Must be combined with a frame



### Specifications

|   |                       |                                   |
|---|-----------------------|-----------------------------------|
| <b>ITEM NUMBER</b>                            | <b>GTIN NUMBER</b>    | <b>WEIGHT INCLUDING PACKAGING</b> |
| 1920.0900                                     | 5707692004518         | 2900 g                            |
| <b>MATERIAL</b>                               | <b>USAGE</b>          | <b>SURFACE</b>                    |
| Stainless steel (AISI 304)/safety float glass | Line drain            | Brushed/frosted                   |
| <b>LENGTH MODEL</b>                           | <b>HEIGHTENER SET</b> | <b>LENGTH WITH/WITHOUT FRAME</b>  |
| 900 mm  | Plastic (PE)          | 833/895 mm                        |





**1920.0900**

Products

## 5100.1200

GlassLine | Right and left-aligned shower screen

Design: Transparent

10 mm safety glass

No visible screws or fittings in the finished result

The glass surface is treated with Cleantec nanotechnology, making it water-repellent, less susceptible to limescale and easier to clean.



### Specifications

|                    |   |                   |
|--------------------|---|-------------------|
| <b>ITEM NUMBER</b> | <b>LENGTH MODEL</b>                                 | <b>HEIGHT (H)</b> |
| 5100.1200          | 1200 mm   | 2104 mm           |
| <b>DESIGN</b>      | <b>MATERIAL</b>                                     |                   |
| Transparent        | Stainless steel (AISI 304) 10 mm safety float glass |                   |

